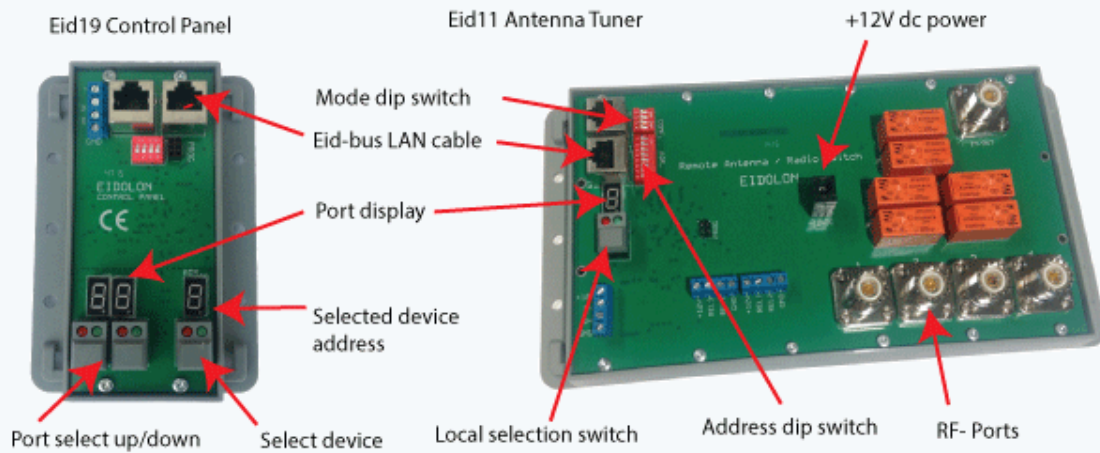


Eid20 is a remote / manually controlled 4x1 Switch for RF.

- ◆ Select your antenna or transceiver without manually switching or rewiring.
- ◆ Lets you connect 100+ transceivers to your antenna or amplifiers + much more.
- ◆ Switches RF from 2-70 MHz.
- ◆ Uses PL259 female connectors. (N and BNC connectors optional)
- ◆ All ports are 50 ohm.
Remote from PC via Eidbus, a modified RS485 bus.
- ◆ Can be used as stand alone or in cascade with 100+ units.
- ◆ +12V dc power.
- ◆ Easy to use and setup.
- ◆ Control protocol available for custom modification.
- ◆ Power rating up 2000 W
- ◆ Preliminary specifications. (under development)



- Eid20 has 2 dip switches for control settings.
- 4 bit dip to set unit in Master / Slave and Panel mode.
- 8 bit dip to set unit address: 0x00 is for offline use.
- LAN port in and LAN port out for cascade connection to EidBus.

