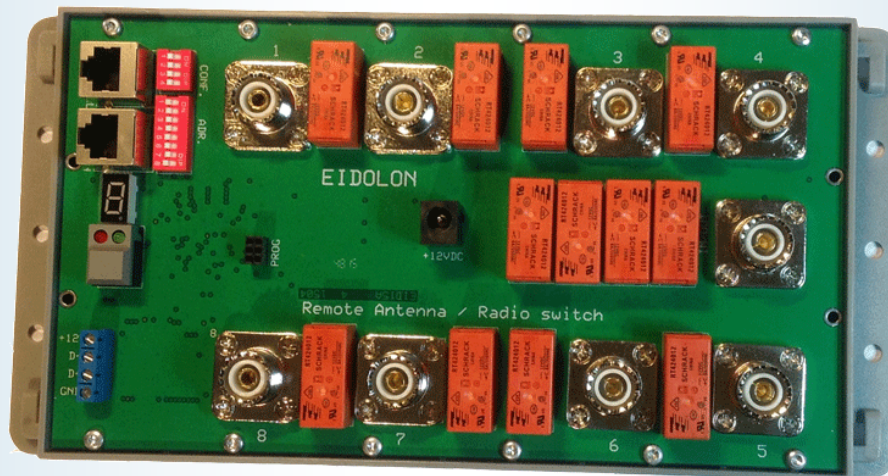


Remote / manually controlled 8 x RF Switch



Eid15 is a remote / manually controlled 8x1 Switch for RF.

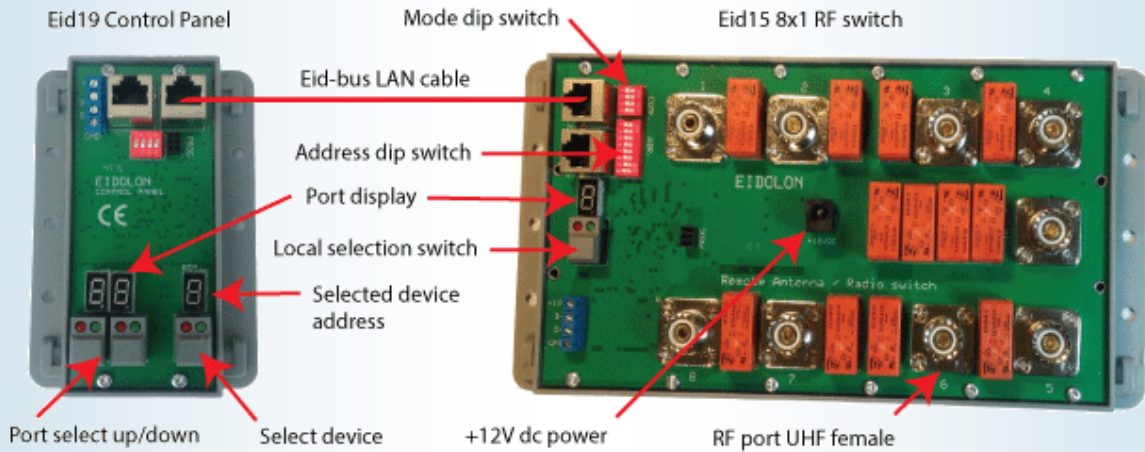
- ◆ Select your antenna or transceiver without manually switching or rewiring.
- ◆ Lets you connect 100+ transceivers to your antenna or amplifiers + much more.
- ◆ Switches RF up to 200 MHz.
- ◆ Uses PL259 female connectors. (N and BNC connectors optional)
- ◆ All ports are 50 ohm.
- ◆ Crosstalk typical ;

82dB	30 MHz
80dB	50 MHz
72dB	70 MHz
64dB	150 MHz
- ◆ Insertion loss typical:

0,017dB	50 MHz
0,18 dB	144 MHz
- ◆ SWR typical

< 1,09	0-70 MHz
< 1,2	144 MHz
- ◆ Remote from PC via Eidbus, a modified RS485 bus.
- ◆ Can be used as stand alone or in cascade with 100+ units.
- ◆ +12V dc power.
- ◆ Easy to use and setup.
- ◆ Control protocol available for custom modification.
- ◆ Power rating up

30 MHz	200 W
70MHz	100W
144 MHz	25 W



- Eid15 has 2 dip switches for control settings.
- 4 bit dip to set unit in Master / Slave and Panel mode.
- 8 bit dip to set unit address: 0x00 is for offline use.
- LAN port in and LAN port out for cascade connection to EidBus.
- LAN port cable carries +12Vdc power to units.

