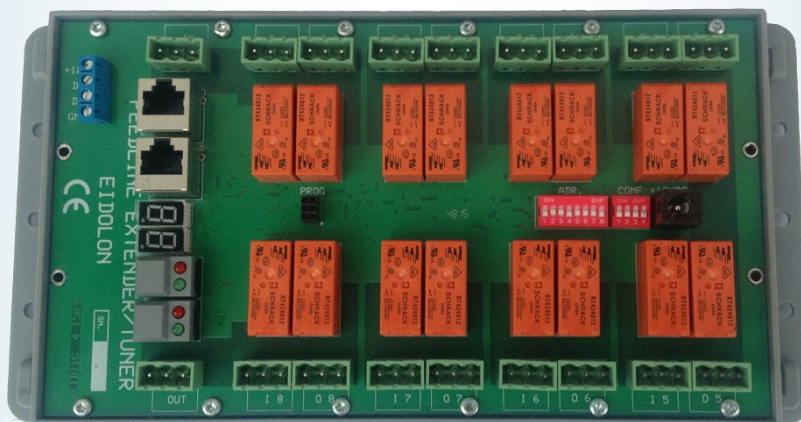
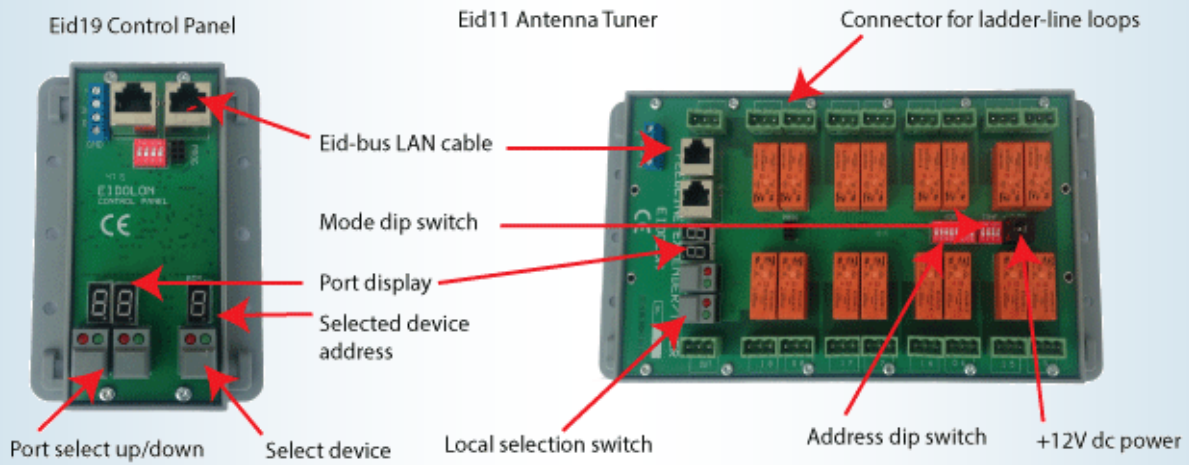


Antenna Matching by variable feeder length



- Eid11 is connected between your open feeder/ladder line and your transceiver, preferably via an RF choke.
- It is designed to be used on all antenna types fed with an open feeder.
- Eid11 has connections for 8 loop circuits of ladder line. The shortest can be ie. 0.125m, next 0.25m, 0.5m, 1m, 2m, 4m, 8m and the longest 16m, or any length adapted to your needs.
- Due to the 8 different lengths, we achieve 256 different lengths of transmission line in series with the RF signal from the antenna.
- With these matching possibilities we are able to achieve a matching $SWR < 2:1$ depending on selecting a proper length of transmission line between your antenna and this matching device.
- Our experience is that this type of antenna matching gives a much better efficiency (lower loss) than conventional LC tuners.
- Power rating is appr. 200 Watts.
- Eid11 can be remotely controlled from the Eid19 Control Panel, but optimal use is by connecting it to the EidControl software for storing tuning settings.



- Eid11 has 2 dip switches for control settings.
- 4 bit dip to set unit in Master / Slave and Panel mode.
- 8 bit dip to set unit address: 0x00 is for offline use.
- LAN port in and LAN port out for cascade connection to EidBus.
- LAN port cable carries +12Vdc power to units.

