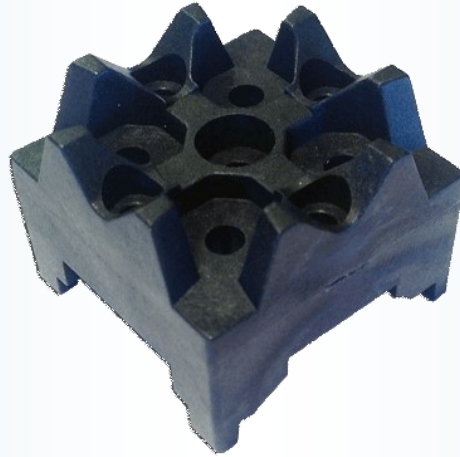


## Unique element holder for building Yagi Antennas



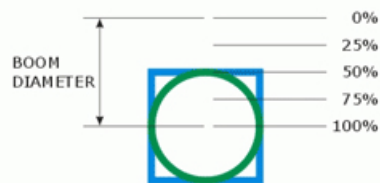
### VHF/UHF antenna element holders for metric and imperial.

2 versions cover many different methods to fasten elements to the boom and elements to the holders.

They are designed according to DL6WU findings in such a way that the element always is at least placed half a boom diameter above the boom.

Element corrections of cause in an ongoing discussing, and new evidence indicate this might be needed for higher frequencies than 300MHz using these element clamps.

### BOOM CORRECTION



The latest versions of these element holders are made from Polypropylen (PP) with 20 to 30 % fiberglass.

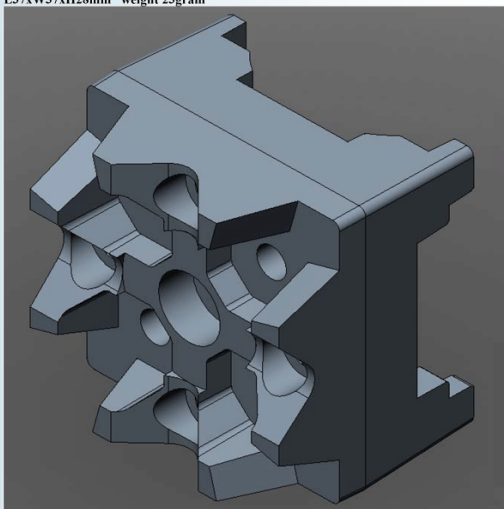
More picturs showing mountings can be found at [www.eidolon.no](http://www.eidolon.no)

## METRIC ELEMENT HOLDERS

**Order number:**  
Element holder for VHF and UHF antennas.

Fits the following booms and element diameters  
Square boom: 16-20-25-30mm  
Round boom: 28 og 30mm  
Element diameter: 6-14mm

L37xW37xH28mm weight 23gram

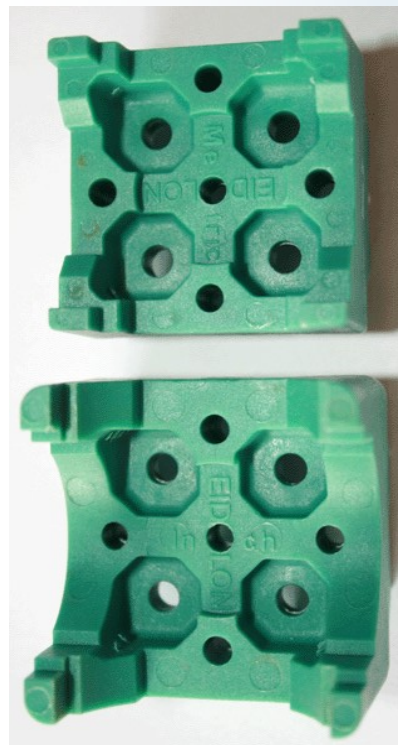
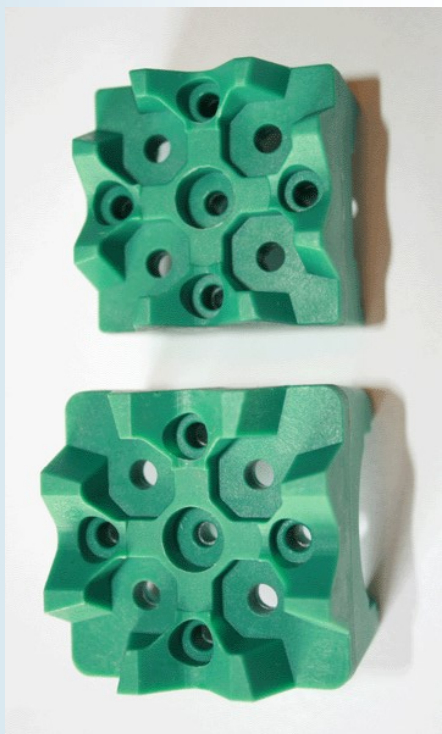
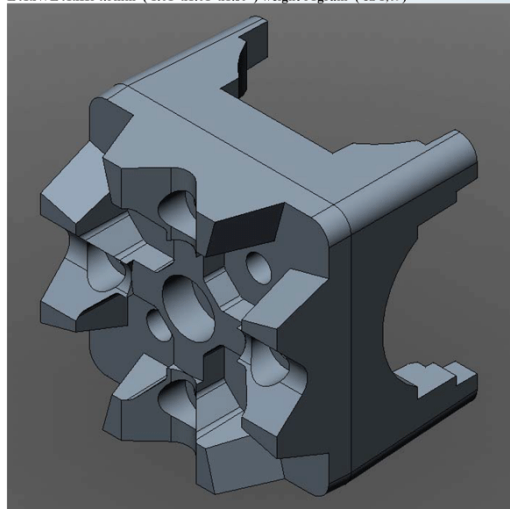


## Element holder imperial (USA/UK)

**Order number:**  
Element holder for VHF and UHF antennas.

Fits the following booms and element diameters  
Square: 0.75"(19.15mm)-1"(25.4mm)-1.125(28.57mm)-1.25"(31.75mm)  
Round: 1"(25.4mm)-1.25" (31.75mm)  
Element diameter: 0.25"(6.25mm)-0.5"(12.5mm)

L41xWL41xH34.5mm ( 1.61"x1.61"x1.86") weight 31gram ( oz 1.09)



For more information log into our website [www.eidolon.no](http://www.eidolon.no)